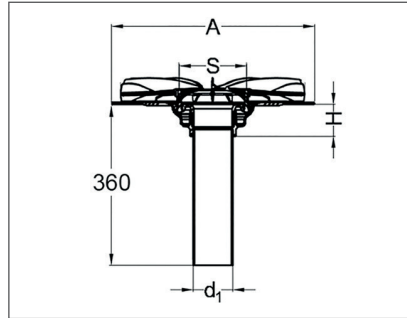


Akasison roof outlet XL90 PVC

Code 749004 / 749005



According to EN 1253

Roof outlet for PVC roof membranes for Akasison siphonic roof drainage systems.

Delivery includes:

- Leaf guard set Code 749053
 - Air baffle with integrated leaf guard (UV-stabilized)
 - Bolts
- Akasison XL90 roof outlet PVC Code 749044 or 749045 (heated)
 - Roof outlet with PVC clamp flange for connection with PVC roof sealing membrane
 - Connection to HDPE
 - Heated model includes a self-regulating 230V heating element, cable length 1 m.

Application:

Cold roof/warm roof

Insulation thickness:

Roof insulation between 60 and 300 mm

Connection pipe system:

Electrofusion coupler Code 410995

Dimensions:

$d_1 = 90$ mm

H = 55 mm

S = 180 mm

A = 455 mm

Drilling core size:

Ø □ 100 mm, 140 mm in combination with installation socket Code 749201

Outlet:

$d_1 = 90$ mm

Performance:

1-29,0 l/s

Material:

HDPE, PVC, ASA (UV-stabilized)

Weight:

2,3 kg

Capacity according to EN 1253

Code	Type	Description	Weight (kg)
749004	Akasison XL90 PVC	PVC foil	2,3
749005	Akasison XL90 H PVC	PVC foil, heated	2,4

Water level	25 mm	35 mm	45 mm	55 mm	65 mm	75 mm
Capacity [l/s]	10,10	17,65	25,30	29,00	29,00	29,00

Packaging:

1 piece

Discount group:

AD

Date:

07.2021