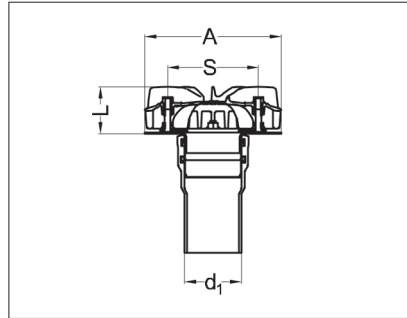


Akasison roof outlet XL75 for concrete gutter (clad)

Code 747801 / 747803



According to EN 1253

Roof outlet for gutter for Akasison siphonic roof drainage systems.
With holes for application in concrete gutter (clad).

Delivery includes:	Air baffle with integrated leaf guard (UV-stabilized) Connection to HDPE and knock-in bolts
Application:	Concrete gutter (clad)
Insulation thickness:	n.a.
Connection to HDPE:	Electrofusion coupler d75 mm Code 410795
Dimensions:	d ₁ = 75 mm L = 55 mm S = 120 mm A = 180 mm
Drilling core size:	Ø □ 110 mm
Performance:	1-18,0 l/s
Material:	ASA, stainless steel, PVC, HDPE

Code	Type	Description	Weight (kg)
747801	Akasison XL75 CON	Concrete gutter	0,91
747803	Akasison XL75 CON COV	Concrete gutter clad	0,91

Water level*	25 mm	30 mm	35 mm	40 mm	45 mm	50 mm	55 mm
Performance [l/s]	7,0	11,7	13,9	17,4	18,0	18,0	18,0

* height measured from the underside of the leaf guard

Packaging:	1 piece
Discount group:	AD
Date:	07.2021